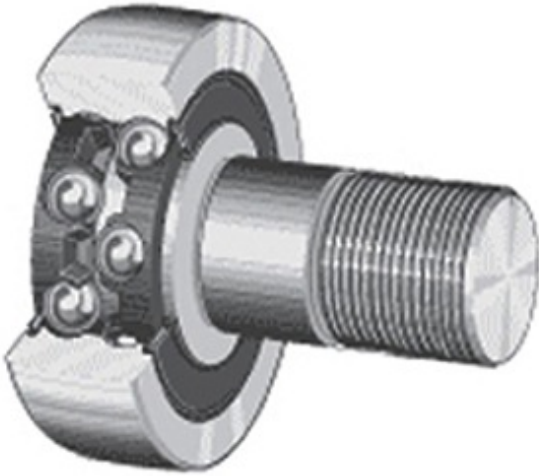




CONSOLIDATED BEARING trading LTD

MCGILL PCF 1 3/4 Cam Follower and Track Roller - Stud Type



PCF 1 3/4 Bearing 2D drawings and 3D CAD models

Bearing No. PCF 1 3/4

Category	Cam Follower and Track Roller - Stud Type
Inventory	0.0
Manufacturer Name	REGAL BELOIT
Minimum Buy Quantity	N/A
Weight	0.368
Product Group	B04120
Roller Surface Profile	Flat
Profile	Stud Type
Thread Size	3/4-16
Stud Profile	Standard Stud
Enclosure	Sealed
Rolling Element	Ball Bearing-Double Row
Relubricatable	Yes
Hex Socket	Yes
Inch - Metric	Inch
Other Features	End Plug Black Oxide Coating Rubber Lip Seals
Long Description	1-3/4" Roller Diameter; 1-3/16" Roller Width; Flat Roller Surface Profile; 3/4" Stud Diameter; 3/4-16 Thread Size; Standard Stud Stud Profile; Sealed Enclosure; Ball Bearing-Double Row;
Category	Cam Followers Stud Type
UNSPSC	31171530



CONSOLIDATED BEARING trading LTD

Harmonized Tariff Code	8482.10.50.68
Noun	Bearing
Keyword String	Cam Follower
Manufacturer URL	http://www.emerson-ept.com
Manufacturer Item Number	PCF 1-3/4
Manufacturer Internal Number	2164700000
Weight / LBS	0.81
Roller Width	1.188 Inch 30.175 Millimeter
Roller Diameter	1.75 Inch 44.45 Millimeter
Stud Diameter	0.75 Inch 19.05 Millimeter