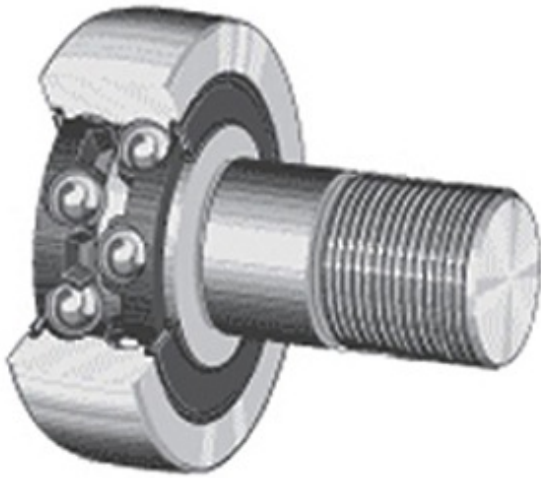




CONSOLIDATED BEARING trading LTD

MCGILL PCF 2 3/4 Cam Follower and Track Roller - Stud Type



PCF 2 3/4 Bearing 2D drawings and 3D CAD models

Bearing No. PCF 2 3/4

Category	Cam Follower and Track Roller - Stud Type
Inventory	0.0
Manufacturer Name	REGAL BELOIT
Minimum Buy Quantity	N/A
Weight	1.176
Product Group	B04120
Roller Surface Profile	Flat
Profile	Stud Type
Thread Size	1-14
Stud Profile	Standard Stud
Enclosure	Sealed
Rolling Element	Ball Bearing-Double Row
Relubricatable	Yes
Hex Socket	Yes
Inch - Metric	Inch
Other Features	End Plug Black Oxide Coating Rubber Lip Seals
Long Description	2-3/4" Roller Diameter; 1-11/16" Roller Width; Flat Roller Surface Profile; 1" Stud Diameter; 1-14 Thread Size; Standard Stud Stud Profile; Sealed Enclosure; Ball Bearing-Double Row; Ye
Category	Cam Followers Stud Type
UNSPSC	31171530



CONSOLIDATED BEARING trading LTD

Harmonized Tariff Code	8482.10.50.68
Noun	Bearing
Keyword String	Cam Follower
Manufacturer URL	http://www.emerson-ept.com
Manufacturer Item Number	PCF 2-3/4
Manufacturer Internal Number	2264700000
Weight / LBS	2.59
Roller Diameter	2.75 Inch 69.85 Millimeter
Stud Diameter	1 Inch 25.4 Millimeter
Roller Width	1.688 Inch 42.875 Millimeter