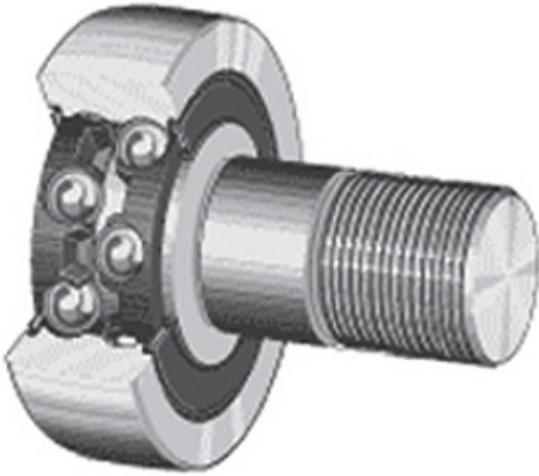




# CONSOLIDATED BEARING trading LTD

## MCGILL PCF 2 1/2 Cam Follower and Track Roller - Stud Type



PCF 2 1/2 Bearing 2D drawings and 3D CAD models

Bearing No. PCF 2 1/2

Category	Cam Follower and Track Roller - Stud Type
Inventory	0.0
Manufacturer Name	REGAL BELOIT
Minimum Buy Quantity	N/A
Weight	0.962
Product Group	B04120
Roller Surface Profile	Flat
Profile	Stud Type
Thread Size	1-14
Stud Profile	Standard Stud
Enclosure	Sealed
Rolling Element	Ball Bearing-Double Row
Relubricatable	Yes
Hex Socket	Yes
Inch - Metric	Inch
Other Features	End Plug   Black Oxide Coating   Rubber Lip Seals
Long Description	2-1/2" Roller Diameter; 1-11/16" Roller Width; Flat Roller Surface Profile; 1" Stud Diameter; 1-14 Thread Size; Standard Stud Stud Profile; Sealed Enclosure; Ball Bearing-Double Row; Ye
Category	Cam Followers Stud Type
UNSPSC	31171530



## CONSOLIDATED BEARING trading LTD

Harmonized Tariff Code	8482.10.50.68
Noun	Bearing
Keyword String	Cam Follower
Manufacturer URL	<a href="http://www.emerson-ept.com">http://www.emerson-ept.com</a>
Manufacturer Item Number	PCF 2-1/2
Manufacturer Internal Number	2244700000
Weight / LBS	2.12
Roller Diameter	2.5 Inch   63.5 Millimeter
Roller Width	1.688 Inch   42.875 Millimeter
Stud Diameter	1 Inch   25.4 Millimeter