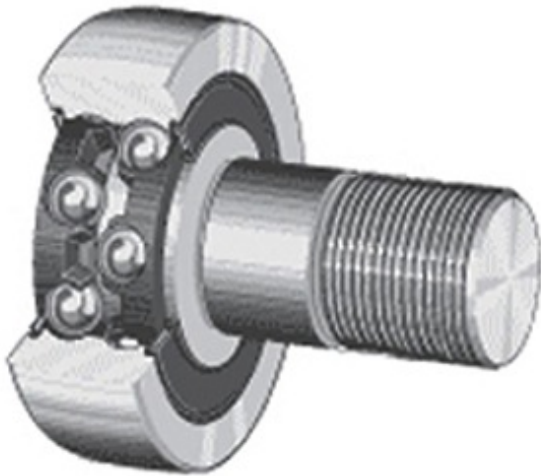




CONSOLIDATED BEARING trading LTD

MCGILL PCF 2 Cam Follower and Track Roller - Stud Type



PCF 2 Bearing 2D drawings and 3D CAD models

Bearing No. PCF 2

Category	Cam Follower and Track Roller - Stud Type
Inventory	0.0
Manufacturer Name	REGAL BELOIT
Minimum Buy Quantity	N/A
Weight	0.608
Product Group	B04120
Roller Surface Profile	Flat
Profile	Stud Type
Thread Size	7/8-14
Stud Profile	Standard Stud
Enclosure	Sealed
Rolling Element	Ball Bearing-Double Row
Relubricatable	Yes
Hex Socket	Yes
Inch - Metric	Inch
Other Features	End Plug Black Oxide Coating Rubber Lip Seals
Long Description	2" Roller Diameter; 1-11/16" Roller Width; Flat Roller Surface Profile; 7/8" Stud Diameter; 7/8-14 Thread Size; Standard Stud Stud Profile; Sealed Enclosure; Ball Bearing-Double Row; Ye
Category	Cam Followers Stud Type
UNSPSC	31171530



CONSOLIDATED BEARING trading LTD

Harmonized Tariff Code	8482.10.50.68
Noun	Bearing
Keyword String	Cam Follower
Manufacturer URL	http://www.emerson-ept.com
Manufacturer Item Number	PCF 2
Manufacturer Internal Number	2204700000
Weight / LBS	1.34
Stud Diameter	0.875 Inch 22.225 Millimeter
Roller Diameter	2 Inch 50.8 Millimeter
Roller Width	1.688 Inch 42.875 Millimeter