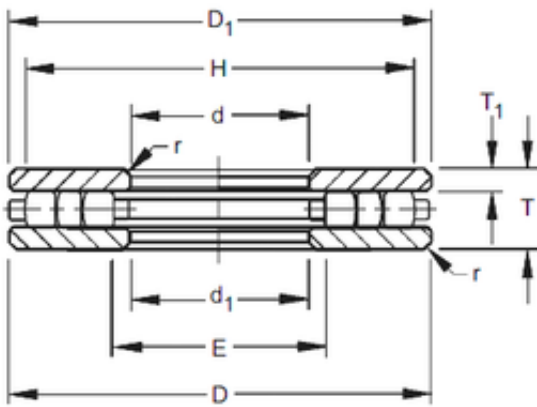




CONSOLIDATED BEARING trading LTD

160TP164 TIMKEN TP thrust cylindrical roller bearing

Bearing No. 160TP164



160TP164 Bearing 2D drawings and 3D CAD models

Size	406.4x558.8x114.3 mm
Bore Diameter	406,4 mm
Outer Diameter	558,8 mm
Width	114,3 mm
d	406,4 mm
D	558,8 mm
T	114,3 mm
r max	6,4 mm
T1	31,75 mm
d1	409,6 mm
D1	555,6 mm
E	425,4 mm
H	539,8 mm