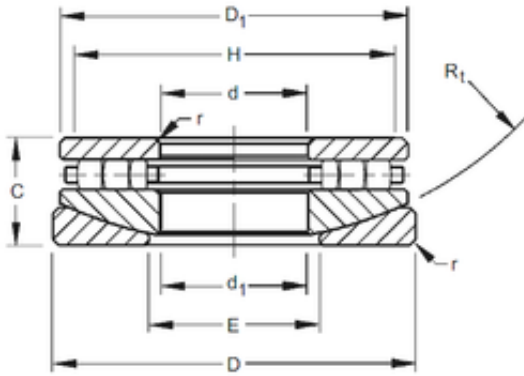




# CONSOLIDATED BEARING trading LTD

## 100TPS144 TIMKEN TPS thrust cylindrical roller bearing

Bearing No. 100TPS144



100TPS144 Bearing 2D drawings and 3D CAD models

|                |            |
|----------------|------------|
| Bore Diameter  | 254 mm     |
| Outer Diameter | 479,425 mm |
| d              | 254 mm     |
| D              | 479,425 mm |
| r max          | 6,4 mm     |
| d1             | 260,36 mm  |
| C              | 127 mm     |
| D1             | 454,82 mm  |
| E              | 304,8 mm   |
| H              | 435 mm     |
| R              | 508 mm     |