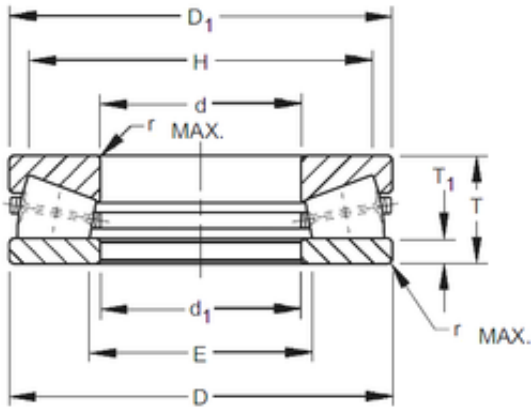




CONSOLIDATED BEARING trading LTD

S-4077-C TIMKEN TTHDFL thrust bearing

Bearing No. S-4077-C



S-4077-C Bearing 2D drawings and 3D CAD models

Size	259.999x479.948x132.08 mm
Bore Diameter	259,999 mm
Outer Diameter	479,948 mm
Width	132,08 mm
d	259,999 mm
D	479,948 mm
T	132,08 mm
r max	4,8 mm
T1	26,99 mm
d1	263,17 mm
D1	478,36 mm
E	300 mm
H	427 mm