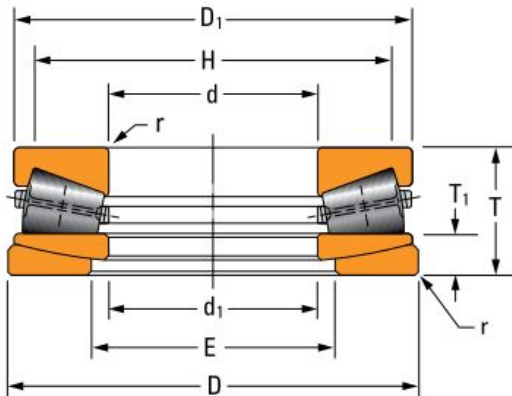




# CONSOLIDATED BEARING trading LTD



## A – 5934 – B TIMKEN TTHDFLSA THRUST BEARINGS

Bearing No. A – 5934 – B

Bearing Type	Thrust Tapered Roller Bearings - TTHDFLSA
d - Bore Diameter	4.0000 in
D - Bearing O.D.	8.0000 in
B	1.8750 in
T1 - Ring Thickness	0.605 in
D1 - Small Diameter O.D.	8.000 in
d1 - Large Bore I.D.	4.000 in
r - Fillet Radius Shaft/Housing (Max)	0.06 in
H - Shoulder Diameter - Shaft	7.19 in
E - Shoulder Diameter - Housing	4.69 in
Static Load Rating	517000 lbf
Dynamic Load Rating	44200 lbf

A – 5934 – B Bearing 2D drawings and 3D CAD models